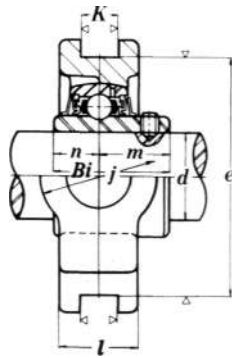
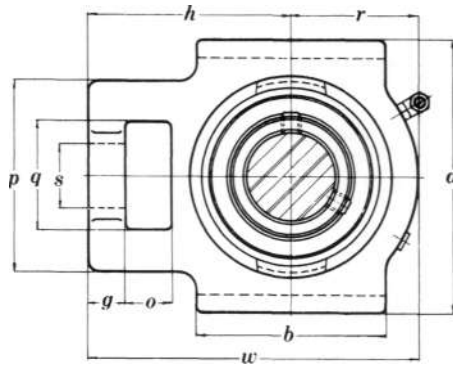


**Take-up Units
Normal-Duty**



**UCST 200 SERIES
Wide Inch slot type**



| Unit No. | Shaft Dim d | Dimensions - Inches | | | | | | | | | | | | | | Housing No. | |
|-------------|----------------|---------------------|-------|---------|---------|---------|---------|--------|---------|---------|---------|---------|---------|---------|-------|-------------|--------|
| | | o | g | p | q | s | b | k | e | a | w | j | i | h | Bi | | n |
| UC201-8 | 1/2 | 5/8 | 13/32 | 2 | 1 1/4 | 3/4 | 2 | 17/32 | 2 63/64 | 3 1/2 | 3 11/16 | 1 1/4 | 15/16 | 2 13/32 | 1.220 | 0.500 | ST 204 |
| UC202-10 | 5/8 | 5/8 | 13/32 | 2 | 1 1/4 | 3/4 | 2 | 17/32 | 2 63/64 | 3 1/2 | 3 11/16 | 1 1/4 | 15/16 | 2 13/32 | 1.220 | 0.500 | ST 204 |
| UC203-11 | 11/16 | 5/8 | 13/32 | 2 | 1 1/4 | 3/4 | 2 | 17/32 | 2 63/64 | 3 1/2 | 3 11/16 | 1 1/4 | 15/16 | 2 13/32 | 1.220 | 0.500 | ST 204 |
| UCST 204-12 | 3/4 | 5/8 | 13/32 | 2 | 1 1/4 | 3/4 | 2 | 17/32 | 2 63/64 | 3 1/2 | 3 11/16 | 1 1/4 | 15/16 | 2 13/32 | 1.220 | 0.500 | ST 204 |
| UCST 205-14 | 7/8 | | | | | | | | | | | | | | | | |
| UCST 205-15 | 15/16 | 5/8 | 13/32 | 2 | 1 1/4 | 3/4 | 2 | 17/32 | 2 63/64 | 3 1/2 | 3 13/16 | 1 1/4 | 15/16 | 2 7/16 | 1.339 | 0.563 | ST 205 |
| UCST 205-16 | 1 | | | | | | | | | | | | | | | | |
| UCST 206-17 | 1 1/16 | | | | | | | | | | | | | | | | |
| UCST 206-18 | 1 1/8 | 5/8 | 13/32 | 2 7/32 | 1 15/32 | 55/64 | 2 1/4 | 17/32 | 3 1/2 | 4 1/32 | 4 7/16 | 1 15/32 | 1 3/32 | 2 3/4 | 1.500 | 0.626 | ST 206 |
| UCST 206-19 | 1 3/16 | | | | | | | | | | | | | | | | |
| UCST 206-20 | 1 1/4 | | | | | | | | | | | | | | | | |
| UCST 207-20 | 1 1/4 | | | | | | | | | | | | | | | | |
| UCST 207-21 | 1 5/16 | 5/8 | 1/2 | 2 17/32 | 1 15/32 | 55/64 | 2 17/32 | 17/32 | 3 1/2 | 4 1/32 | 5 3/32 | 1 15/32 | 1 3/16 | 3 1/16 | 1.689 | 0.689 | ST 207 |
| UCST 207-22 | 1 3/8 | | | | | | | | | | | | | | | | |
| UCST 207-23 | 1 7/16 | | | | | | | | | | | | | | | | |
| UCST 208-24 | 1 1/2 | 3/4 | 5/8 | 3 9/32 | 1 15/16 | 1 9/64 | 3 9/32 | 11/16 | 4 1/64 | 4 1/12 | 5 21/32 | 1 15/16 | 1 15/16 | 3 15/32 | 1.937 | 0.748 | ST 208 |
| UCST 208-25 | 1 9/16 | | | | | | | | | | | | | | | | |
| UCST 209-26 | 1 5/8 | | | | | | | | | | | | | | | | |
| UCST 209-27 | 1 | 3/4 | 5/8 | 3 9/32 | 1 15/16 | 1 9/64 | 3 9/32 | 11/16 | 4 1/64 | 4 19/32 | 5 21/32 | 1 15/16 | 1 3/8 | 3 7/16 | 1.937 | 0.748 | ST 209 |
| UCST 209-28 | 1 1/16 | | | | | | | | | | | | | | | | |
| UCST 209-28 | 1 3/4 | | | | | | | | | | | | | | | | |
| UCST 210-30 | 1 7/8 | | | | | | | | | | | | | | | | |
| UCST 210-31 | 1 | 3/4 | 5/8 | 3 9/32 | 1 15/16 | 1 9/64 | 3 3/8 | 11/16 | 4 1/64 | 4 19/32 | 5 7/8 | 1 15/16 | 1 15/32 | 3 17/32 | 2.031 | 0.748 | ST 210 |
| UCST 210-32 | 15/16 | | | | | | | | | | | | | | | | |
| UCST 210-32 | 2 | | | | | | | | | | | | | | | | |
| UCST 211-32 | 2 | 1 | 3/4 | 4 1/32 | 2 17/32 | 1 3/8 | 3 3/4 | 1 1/16 | 5 1/8 | 5 3/4 | 6 23/32 | 2 17/32 | 1 1/2 | 4 3/16 | 2.189 | 0.874 | ST 211 |
| UCST 211-34 | 2 1/8 | | | | | | | | | | | | | | | | |
| UCST 211-35 | 2 3/16 | | | | | | | | | | | | | | | | |
| UCST 212-36 | 2 1/4 | 1 1/4 | 3/4 | 4 1/32 | 2 17/32 | 1 3/8 | 4 1/32 | 11/16 | 5 1/8 | 5 3/4 | 7 5/8 | 2 17/32 | 1 21/32 | 4 11/16 | 2.563 | 1.000 | ST 212 |
| UCST 212-38 | 2 3/8 | | | | | | | | | | | | | | | | |
| UCST 212-39 | 2 7/16 | | | | | | | | | | | | | | | | |
| UCST 213-40 | 2 1/2 | 1 1/4 | 13/16 | 4 3/8 | 2 3/8 | 1 39/64 | 4 3/4 | 11/16 | 5 15/16 | 6 9/16 | 8 13/16 | 2 3/4 | 1 23/32 | 5 13/32 | 2.563 | 1.000 | ST 213 |